



# DESVAC WINGVAC

## Semi-Automatic Wing-Web Injector for Pullet Vaccination



### Key Features

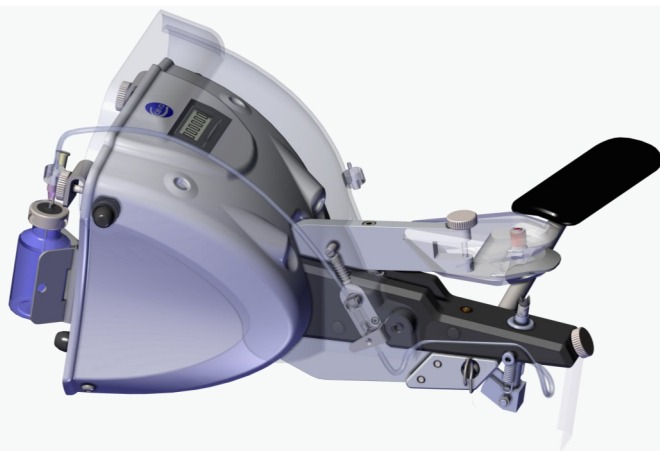
- Unique scarification system for quality
- Accurate vaccination location for best protection
- Low risk of product contamination
- No risk of personal injury
- Animal friendly system
- Saves vaccine
- Fitted with a total counter

Our **Desvac Wingvac** makes wing-web vaccine application safer for staff and much more accurate than the traditional manual vaccination. Birds are thus better protected.

**Pathologies:** Fowl Pox, Chicken Infectious Anaemia

**Ceva Vaccines:** Circomune, Vectormune FP

## PROFILE



### Ergonomic & User Friendly Design

- No risk of personal injury
- Adaptable for right & left handed individuals

### High Quality Scarification

- Innovative design of the patent scarification claw to optimize vaccine deposit and contact with the wing
- 2 patented jaws designed for optimum wing positioning for different bird size

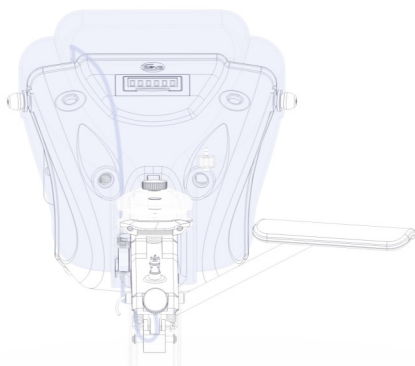
### High Vaccination Quality

- No vaccine solution contamination during the vaccination process
- Accurate dose of 0.01 ml

### Vaccination Monitoring

- 1 LED bulb flashes green when the bird is correctly vaccinated
- Fitted with a total counter

## SPECIFICATIONS



<b>Target</b>	Layer, broiler & breeder
<b>Bird Age</b>	From 4 weeks to 18 weeks
<b>Vaccination Technique</b>	Wing-web scarification
<b>Weight</b>	1,75 kg
<b>Battery Life</b>	6DVC battery - 30 hrs of vaccination
<b>Dose</b>	0,01 ml
<b>Speed</b>	1000 - 1500 birds.h-1



As part of the EGGs program, our Ceva Field Specialist will monitor the good operation of the equipment and the quality of vaccination during the routine visit.

