



Bringing Electronic
Compliance & Traceability
to the Treatment Point



HSW ECO-MATIC® & V-ETIC

Brings Intelligence to the Treatment Point

V-ETIC is connecting the swine, dairy, beef and sheep industries by providing electronic authenticity and compliance to meet the growing need to manage, track, trace, report and analyze in real time.

Spend more time with your herd. V-ETIC provides automatic recognition of animals, treatments, animal health product inventory and usage. On demand report generation and integration with existing software.

Collecting, storing, sharing and utilizing information wherever, whenever and with whoever you want, simple and safe.

The System

Easy to use – Integrates with Existing Farm Management System



HSW ECO-MATIC®

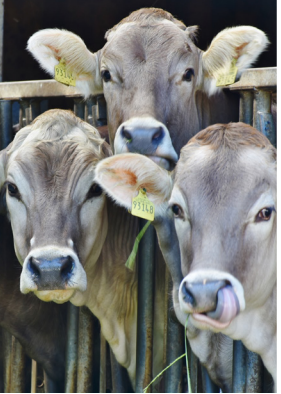
V-ETIC

Web Portal – V-ETIC PC program

Mobile Android APP – info on the go

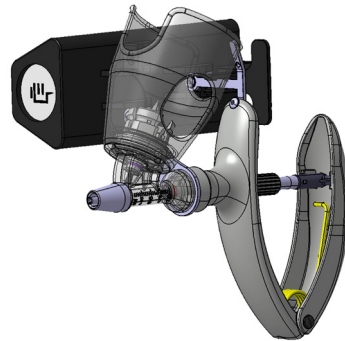
Low Frequency RFID tags

No internet needed for use, onsite connection between app and V-ETIC via Bluetooth, synchronize when internet is available.



The Application System

The HSW ECO-MATIC®.
The global tool of choice for injecting and drenching. Ergonomic, light-weight, reliable and reusable.



The V-ETIC.
A hermetically sealed modular system fitted exclusively to the HSW ECO-MATIC®. Lightweight and battery driven device that can integrate with existing management systems.

Data is safely stored inside the V-ETIC, you choose when and how you sync, via Bluetooth or WiFi all at the touch of a button.



V-ETIC is Connecting the Industry with Transparency and Trust

- ▶ **Breeders** – Health passports and stock transfer information
- ▶ **Producers** – Real time health records and performance information, data accuracy and reduction of labor
- ▶ **Processors** – Electronic health records and origin details
- ▶ **Veterinarians** – Compliance of treatments in real time, eliminates manual recording and tedious paperwork
- ▶ **Regulators** – Facilitates compliance, regulatory and management of vaccination schemes

Specification HSW ECO-MATIC®

- ▶ Topical, oral and injectable treatments from 0,1ml to 5ml
- ▶ Bottle Mount, Draw off connection

Specification V-ETIC

- ▶ Hermetically Sealed IP 67
- ▶ Dimensions 122mm x 32mm x 52mm / 4.8 in. x 1.25 in. x 2.05 in.
- ▶ Weight 143grams / 5oz.
- ▶ RFID reader for LF 134.5 kHz ISO 11784
- ▶ Connection via WiFi and Bluetooth
- ▶ 1200mA battery provides 10 hours of working time
- ▶ Internal Memory 130,000 records
- ▶ Smart Phone – Works with any Android 5,1 or newer

How to Get Started

1. Each package comes with the following
 - a. One HSW ECO-MATIC® syringe of your choice with V-ETIC Bracket
 - b. Universal attachments to work in a bottle mount or tubing set up
 - c. One V-ETIC, with charger and USB cables
 - d. HSW Flexible Vaccination Extender to increase reach of the applicator
 - e. V-ETIC app and V-ETIC Cloud
 - f. HSW customer support telephone line and dedicated V-ETIC email help line
 - g. Instructions for use
 - h. HSW warranty
2. Call us on +49 152 01520411, in the US + 1(508) 671-9372 or send an email to info@henkesasswolf.de

Practical & Easy to Implement

- Works with low frequency electronic tags
- No additional equipment needed
- Easy as 1, 2, 3



For further information:

Henke-Sass, Wolf GmbH
Keltenstraße 1
78532 Tuttlingen
Germany

T: +49 152 / 01520411
F: +49 7462 / 9466-5208
www.henkesasswolf.de
info@henkesasswolf.de

