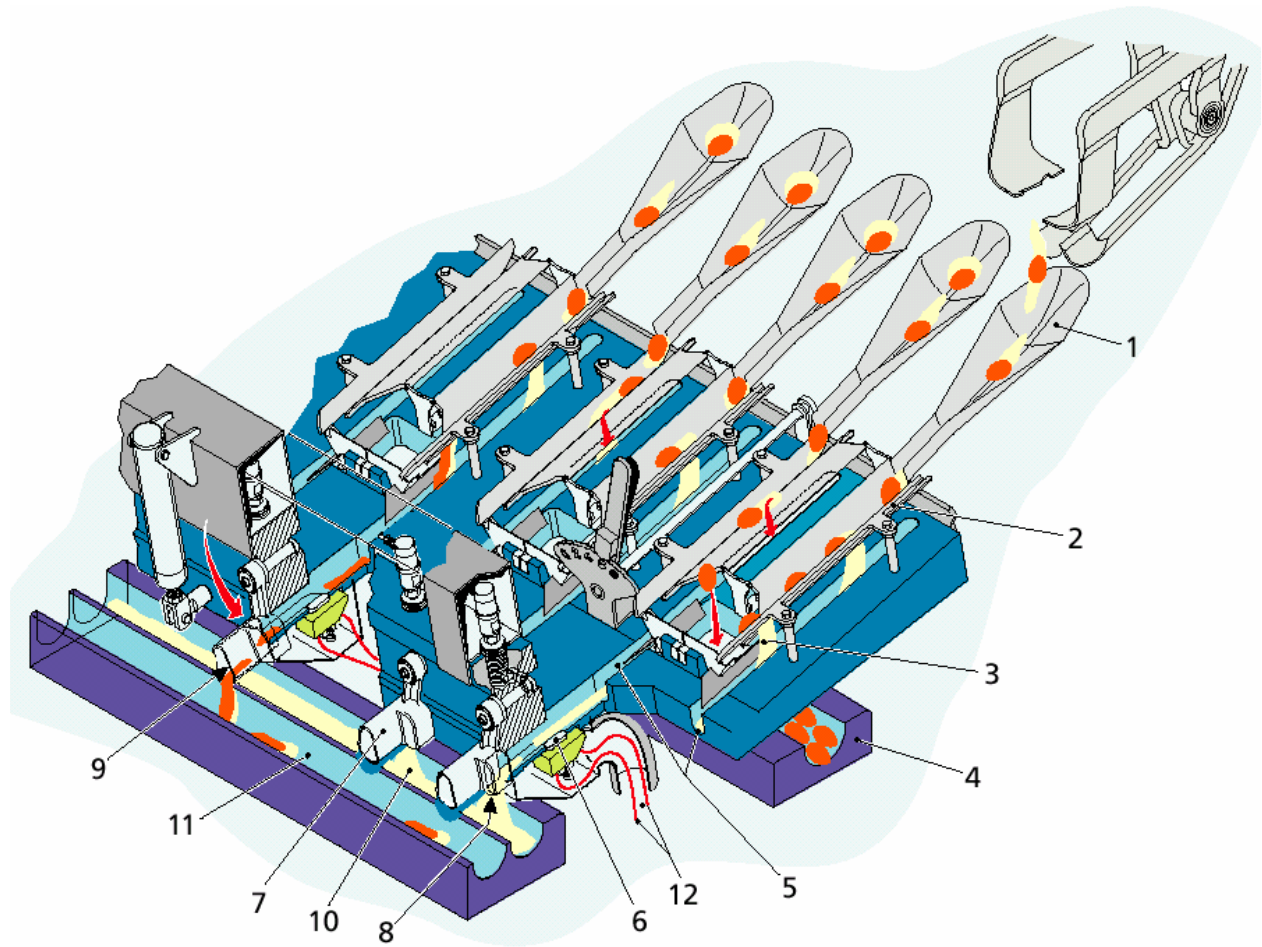


EGG BREAKING AND AUTOMATIC SEPARATING MACHINE CEM 432 WITH ALBUMASTER

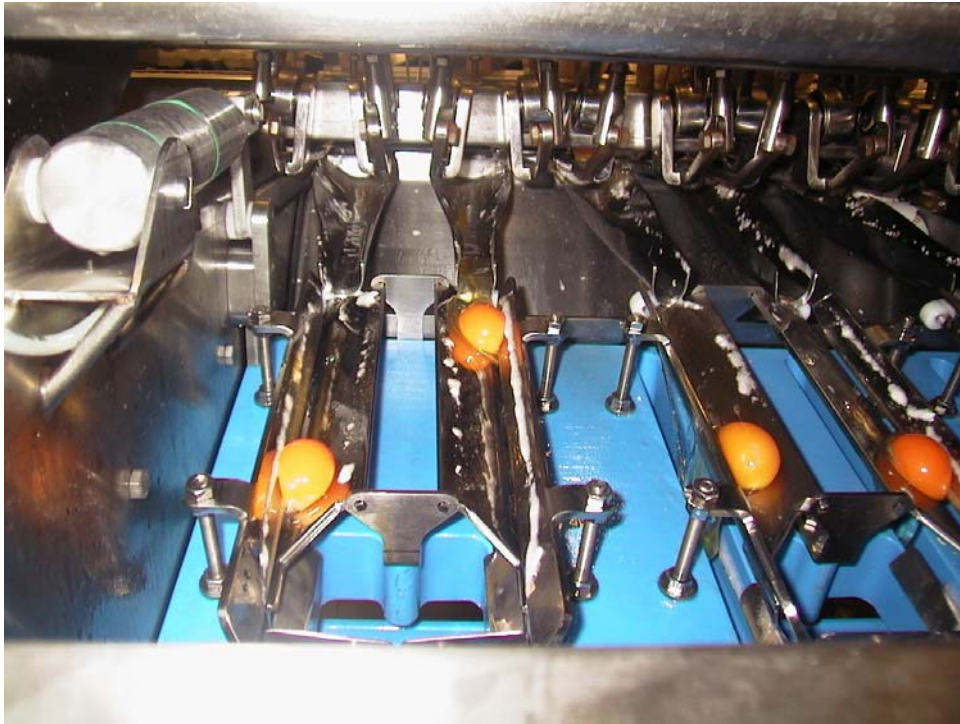
With great pleasure we can inform you that we now have a revolutionary computer controlled system, called ALBUMASTER (R), providing not only a high yield of pure egg yolk (with solids up to 46 %) but especially with the purest egg white and only 5 - 10 % egg white with traces of yolk, which can be used to bring down the high solids in the egg yolk to a commercial standard.

The system can be adapted to ALL existing Coenraads breaking machines CEM432.





1. COLLECTION TRAY
2. SEPARATING UNIT
3. YOLK IS SEPARATED FROM EGG WHITE
4. CENTRAL DRAIN FOR YOLK
5. SEPARATE DRAIN
6. WINDOW
7. CONTROLLING VALVE
8. VALVE POSITION FOR CLEAN EGG WHITE
9. VALVE POSITION FOR EGG WHITE WITH TRACES OF YOLK
10. COLLECTION DRAIN FOR CLEAN EGG WHITE
11. COLLECTION DRAIN FOR WHOLE EGG
12. GLASS FIBRE CABLES



ALBUMASTER® 2003 FINAL PRODUCTS

high yield of pure egg yolk (with solids up to 46 %)



the purest egg white



only 5 - 10 % egg white with traces of yolk



ALBUMASTER

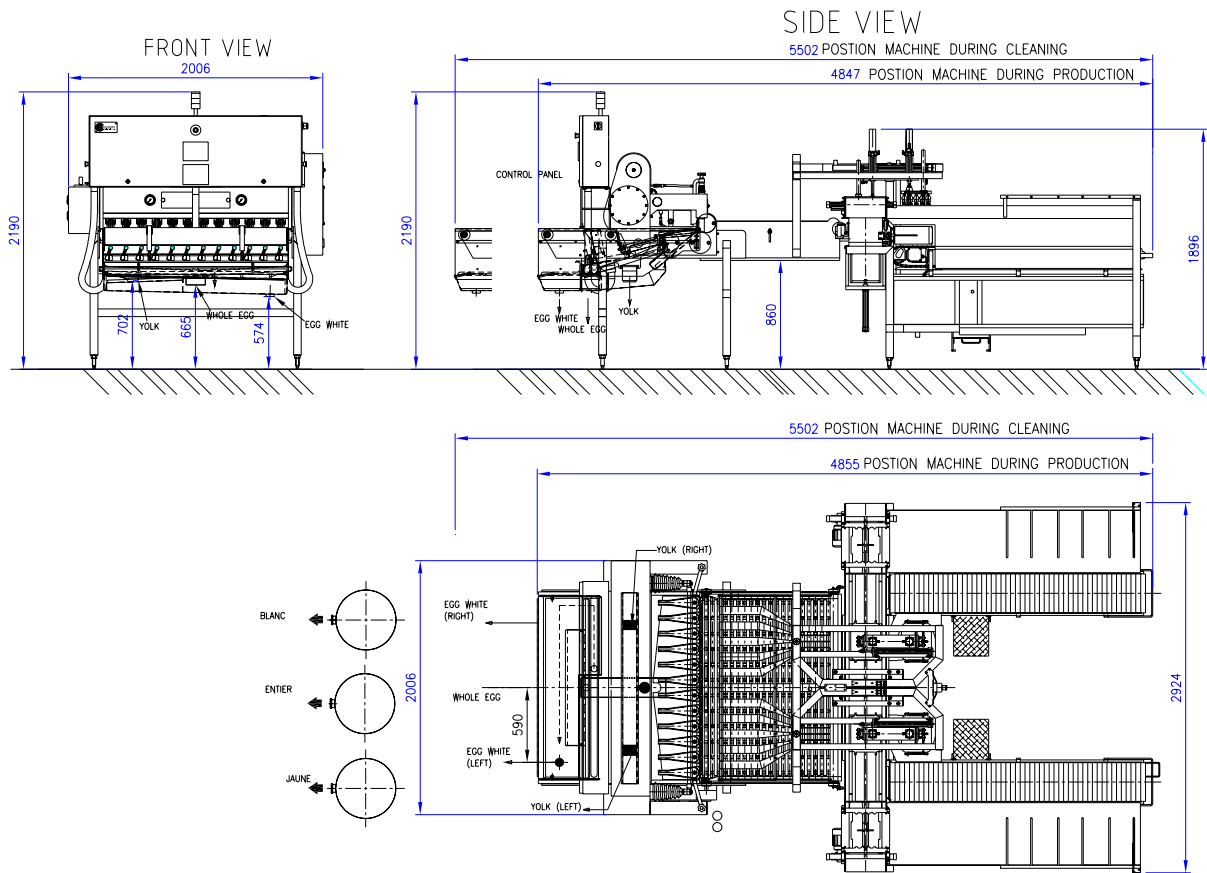


FINAL EGG WHITE INSPECTION TANK



FRONT VIEW ALBUMMASTER





TYPE: CEM 432 with ALBUMASTER

Capacity:	Max. 43.200 eggs per hour
Electricity:	3ph. 400V+N+PE 2, 16 kW
Air consumption:	900L/min @ 5-6 bar
Cold water:	1L/min